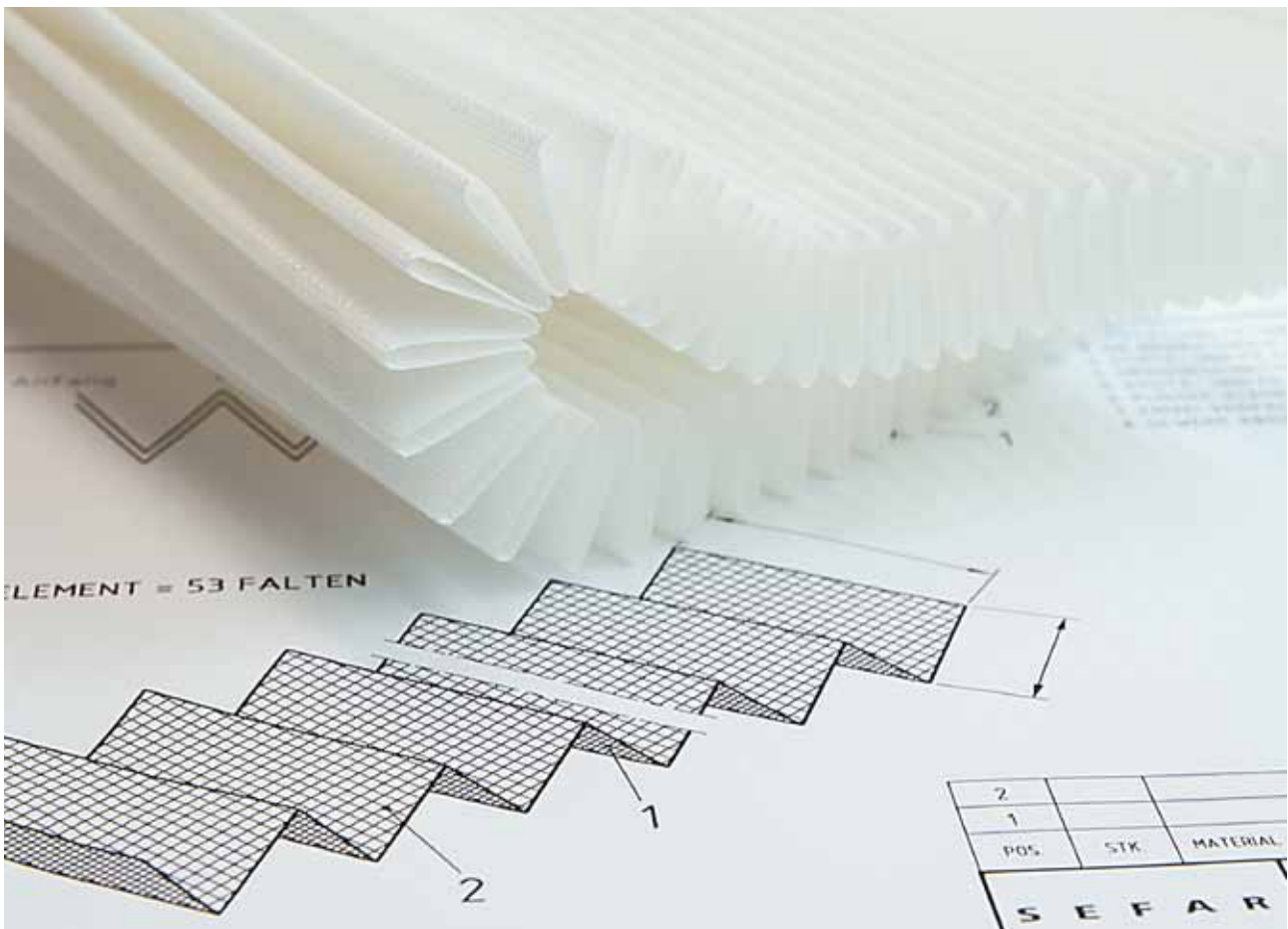


Pleated elements



Introduction:

Pleated elements significantly increase the filtration area in a given construction space. In addition, they reduce the total volume required for a defined filtration surface. Pleated elements are made from ribbons, which are pleated and cut to size. Endless pleated elements are made having suitable joints.

The individual fabric layers are simultaneously cut and welded along their longitudinal side by means of ultrasonic (US) slitting or heat cutting. Cutting to a defined number of pleats is done using US-slitting or other suitable cutting technologies.

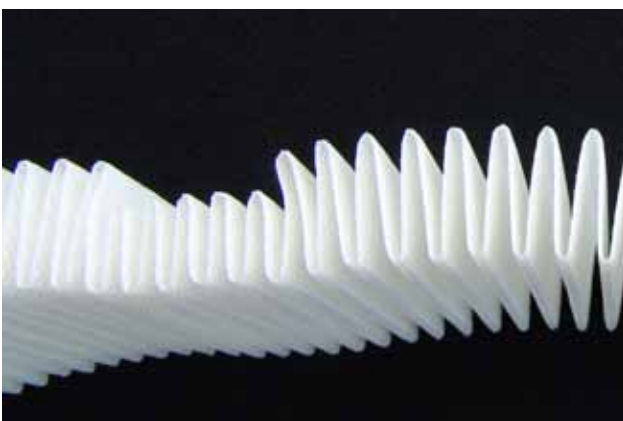
Product details



- Various filter media and filter materials can be combined, e.g. synthetics, steel, glass
- Up to 5 layers are possible, e.g. filter fabric with a support fabric, non-woven depth filter with woven surface filter, etc.



- Pleat width ranges from 20 to 1200 mm



- Pleat heights range from 6 mm to 50 mm
- Different pleat heights can be combined
- Pleat counts are unlimited

Product details



- Endless pleated elements are formed using ultrasonic welding or metal clamping



Packaging and labeling

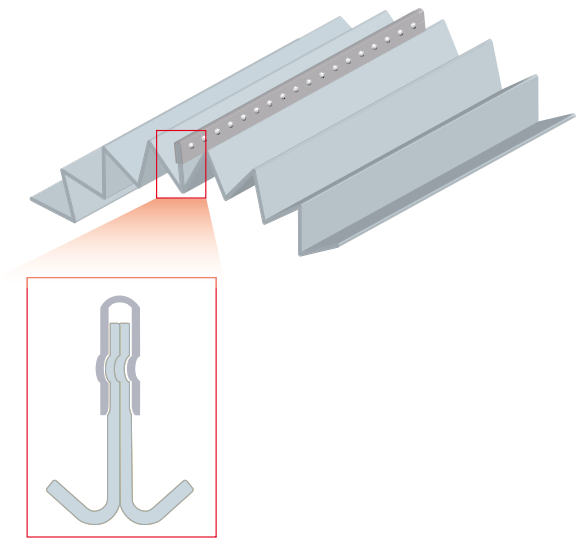
- Pleated elements can be packed into PE bags that are closed by welding
- Endless pleated elements can be supplied in blister packs
- Pleated elements made of SEFAR MEDIFAB® fabrics are double-bagged
- The label shows all the necessary information and allows complete traceability to the polymer

Benefits

- Customer-tailored solutions
- Extensive choice of filter materials
- Wide range of dimensions
- Optimal utilization of construction space
- Lowest priming volume
- Biocompatible products according to USP Class VI and ISO 10993
- Full traceability
- Blister packaging significantly simplifies handling

Metal clip closure

Previously, US-welding was the most common used technology to fabricate endless pleated elements. However, this technology has its limitations, especially when it must be applied to the wide variety of materials now available. To produce pleated elements for the automotive industry and other general applications, Sefar set up a specialized environment using state-of-the-art technology and machinery. This allows Sefar to produce pleated filter elements suitable for almost all customer needs and using any material.



Advantages of metal clip closure

- Material independent (synthetic fabrics, wire mesh, fleeces,...)
- Independent of thickness (multi-layer)
- Temperature-resistant (limit --> fabric resistance)
- Extremely durable and resistant
- No bulging (supporting effect)
- Multi-layer pleats possible
- No fraying
- Solid connection regardless of material surface and coating.

Application areas

- Oil-filtration
- Fuel filtration
- Air-filtration
- Dust-filtration
- Wet filtration
- Medical filtration

www.sefar.com

Headquarters

Sefar AG

Hinterbissastrasse 12
9410 Heiden – Switzerland
Phone +41 71 898 57 00
Fax +41 71 898 57 21
filtration@sefar.com

Sefar Filtration Subsidiaries

Sefar Inc.

Buffalo, Depew, NY – USA
Phone +1 800 995 0531
filtration@sefar.us

Kansas City, MO – USA
Phone +1 800 283 8182
kcfiltration@sefar.us

Sefar BDH

Chicoutimi – Canada
Phone +1 418 690 0888
info.bdh@sefar.com

Sefar S.A. de C.V.

Iztapalapa, D.F. – Mexico
Phone +52 55 2291-0652/5612-7696
info.mexico@sefar.com

Sefar Tenyl

Tenyl Tecidos Técnicos Ltda.
Guarulhos, SP – Brazil
Phone +55 11 2137-1555
contato.brasil@sefar.com

Sefar Singapore Pte. Ltd.

Singapore
Phone +65-6299 9092
info.sg@sefar.com

**Sefar Filtration Solutions
(Suzhou) Ltd.**

Jiangsu Province – China
Phone +86 512 62836383
info.cn@sefar.com

Sefar Singapore Pte. Ltd.

Indonesia Rep. Office (Filtration)
Jakarta Barat – Indonesia
Phone +62 21 5890 2065/66/68
info.id@sefar.com

Sefar Fabrication (Malaysia) Sdn Bhd

Johor, Malaysia
Phone +60 7 867 7188
info.my@sefar.com

Sefar Filtration (India) Pvt. Ltd.

Bhiwandi – India
Phone +91 2522 271139 / 271140 / 271141
info.in@sefar.com

Sefar Pty Ltd.

Huntingwood, NSW – Australia
Phone +61 1300 306 661
sfs@sefar.com.au

Sefar Filter Specialists Ltd.

Auckland – New Zealand
Phone +64 (0) 9622 3330
salesnz@sefar.com

Sefar Fyltis S.A.S.

Lyon 03 – France
Phone +33 472 13 14 15
vente@sefar-fyltis.fr

Sefar Italia S.r.l.

Collegno-Torino – Italy
Phone +39 011 42001
info@sefar.it

Sefar Maissa S.A.

Cardedeu – Spain
Phone +34 9 3844 4710
info.maissa@sefar.com

Sefar GmbH

Edling – Germany
Phone +49 8071 90 400-0
info@sefar.de

Sefar B.V.

Lochem – Netherlands
Phone +31 (0)573 258250
info@sefar.nl

Sefar Ltd.

Bury, Lancs – England
Phone +44 (0) 010765 3530
sales@sefar.co.uk